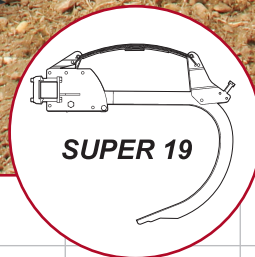
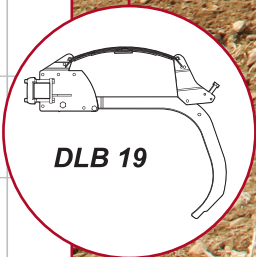


Super 19 / DLB 19 Rippers



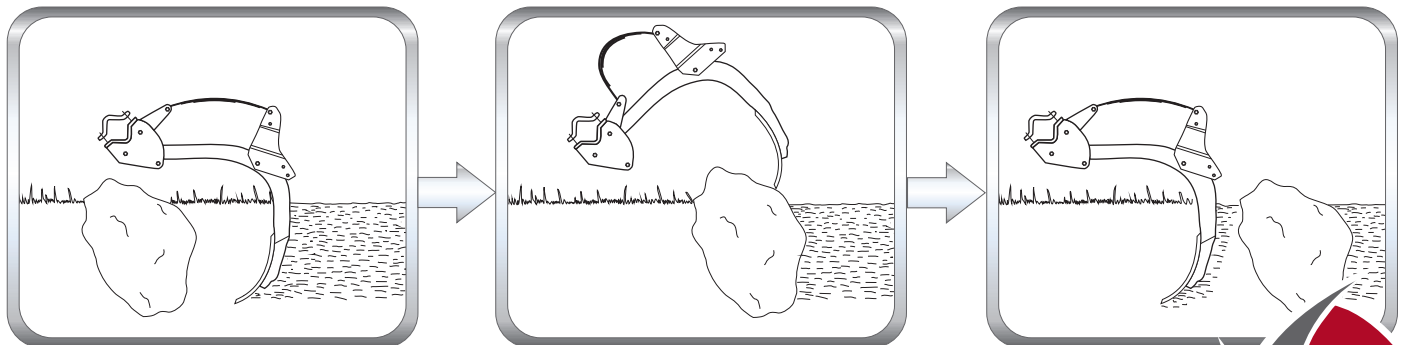
Tine Specification
- Optimal Working Depth 475mm



FEATURES

The Rovic range of Ripper Implements, with their tried and proven "Super and DLB 19" tines, have revolutionised the South African soil ripping industry as it is known today. This popular implement with a working depth of up to 500mm, is fitted with a solid tine of 85kg, protected by a mechanical spring loaded break-away system.

SINGLE leaf spring trip action (no shearbolts!)



Scan this QR code
 and subscribe to the
 Rovic Leers newsletter

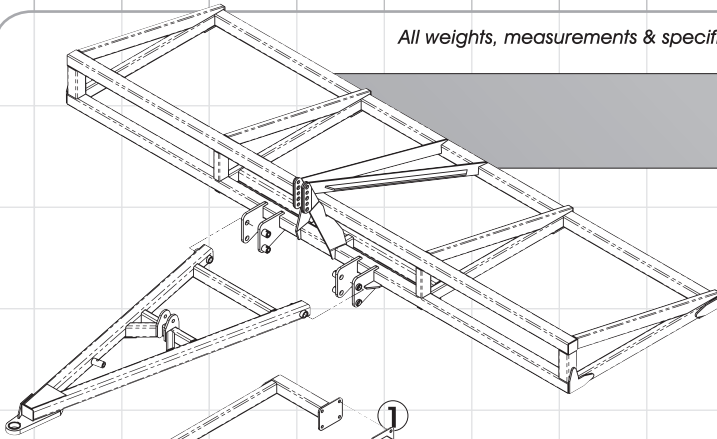
Leading Farming Technology





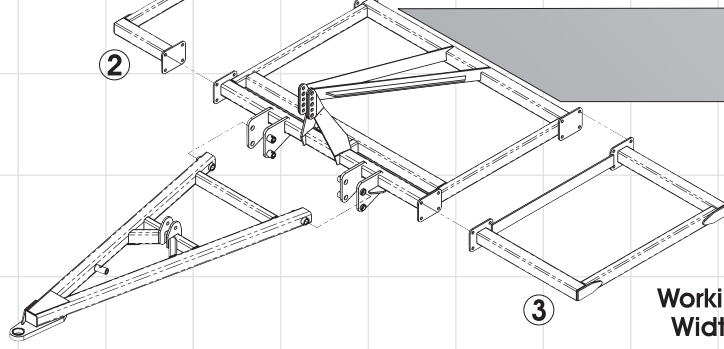
Technical Specifications: Super 19 / DLB 19 Rippers

All weights, measurements & specifications are approximate and subject to change without prior notification



FRAME NO. 7 - 3 POINT OR TRAILED

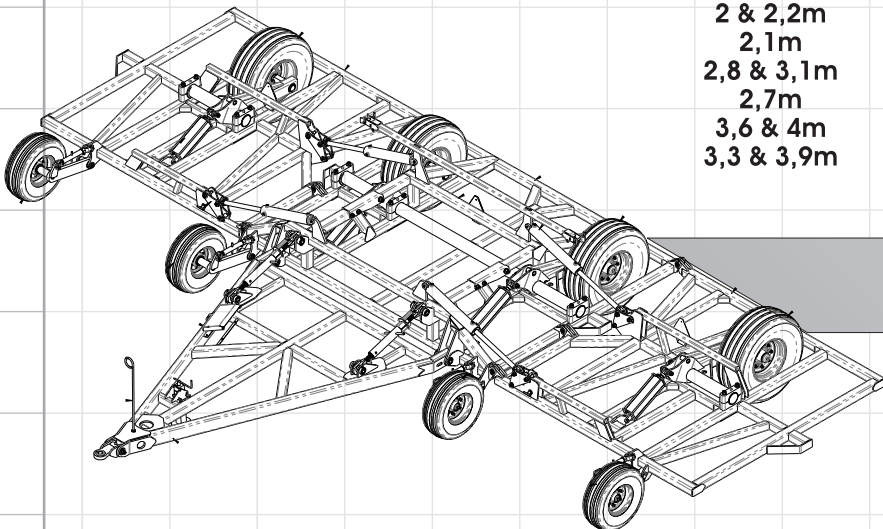
Working Width	No. of Tines	Tine Spacing
4,4 & 4,9m	11	400 & 450mm
3,9m	13	300mm
5,2m	13	400mm
4,5m	15	300mm



FRAME NO. 1 - 3 POINT OR TRAILED

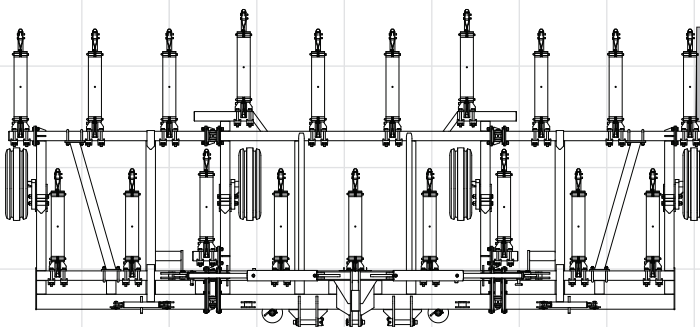
- ① Main frame
- ② Two tine extension
- ③ Four tine extension

Working Width	No. of Tines	Tine Spacing	Frame Config.
2 & 2,2m	5	400 & 450mm	1
2,1m	7	300mm	1
2,8 & 3,1m	7	400 & 450mm	1 & 2
2,7m	9	300mm	1 & 2
3,6 & 4m	9	400 & 450mm	1 & 3
3,3 & 3,9m	11 & 13	300mm	1 & 3



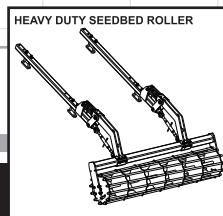
FRAME NO. 13 - TRAILED

Working Width	No. of Tines	Tine Spacing
10m	25	400 mm
10,8m	27	400mm

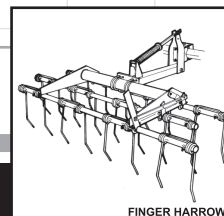


FRAME NO. 10 - 3 POINT

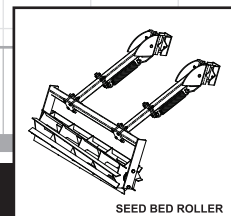
Working Width	No. of Tines	Tine Spacing
6,0m	15	400mm
6,8m	17	400mm
7,6m	19	400mm



HEAVY DUTY SEEDBED ROLLER



FINGER HARROW



SEED BED ROLLER

